

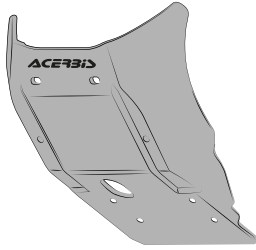
# SKID PLATE YAMAHA TÉNÉRÉ 700

## SOTTOMOTORE YAMAHA TÉNÉRÉ 700

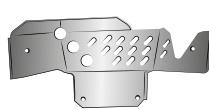
**ACERBIS**

COD. 500007969

### ACERBIS PARTS



**A** - (1 pcs.)



**B** - (1 pcs.)



**D** - (1 pcs.)



**F** - (1 pcs.)



**H** - (8 pcs.)



**L** - (2 pcs.)



**C** - (1 pcs.)



**E** - (1 pcs.)



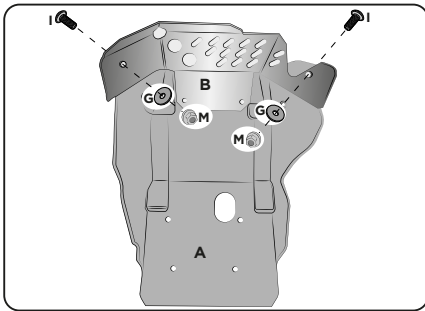
**G** - (6 pcs.)



**I** - (6 pcs.)

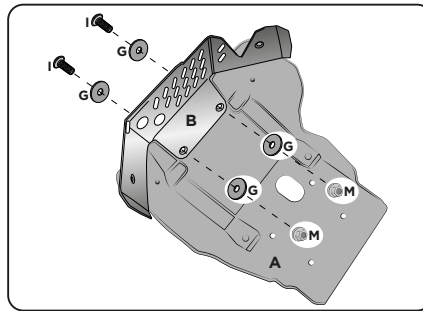


**M** - (4 pcs.)



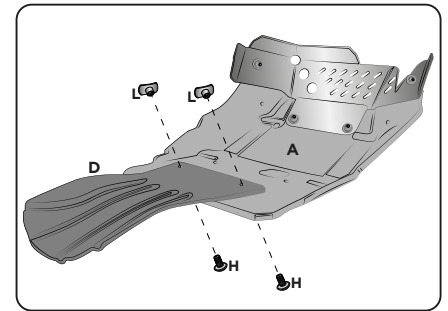
**1 - Attach the plate (B) to the Acerbis skid plate (A) using screws (I), washers (G) and nuts (M) on the upper holes.**

1 - Fissare la piastra (B) al sottomotore Acerbis (A) tramite viti (I), rondelle (G) e dadi (M) sui fori superiori.



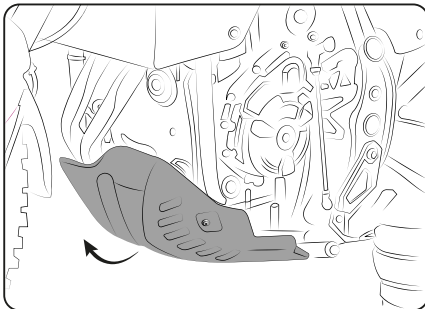
**2 - Finish the plate attachment (B) using screws (I), washers (G) and nuts (M) on the lower holes.**

2 - Ultimare il fissaggio della piastra (B) attraverso viti (I), rondelle (G) e dadi (M) sui fori inferiori.



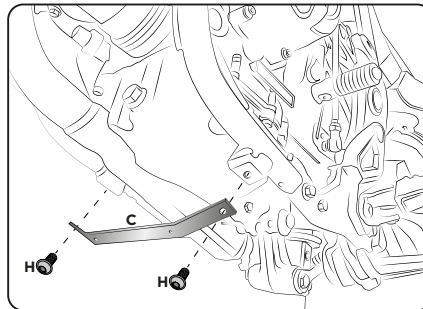
**3 - Assemble the fin (D) to the Acerbis skid plate (A) using screws (H) and plates (L).**

3 - Montare la pinna (D) al sottomotore Acerbis (A) attraverso viti (H) e le piastrine (L).



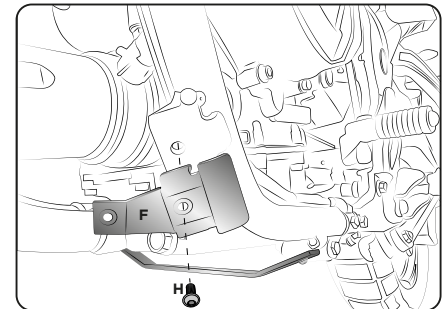
**4 - Remove the original skid plate.**

4 - Smontare il sottomotore originale.



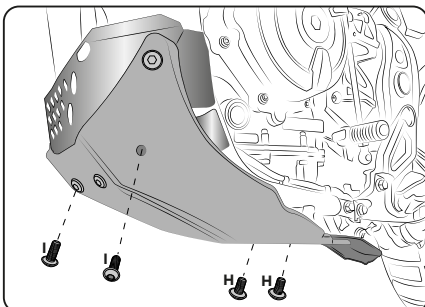
**5 - Tighten the bracket (C) using screws (H).**

5 - Avvitare la staffa (C) tramite viti (H).



**6 - Apply the left bracket (F) and tighten it using the screw (H). Attach the bracket (E) on the right side using the screw (H).**

6 - Applicare la staffa sinistra (F) e avvitarela tramite vite (H). Fissare sul lato destro la staffa (E) tramite vite (H).



**7 - Install the skid plate tightening it to the brackets using screws (I) and screws (H).**

7 - Montare il sottomotore avvitandolo alle staffe attraverso viti (I) e viti (H).

### WARNING!

Use at your own risk. Check the security of your device before you ride. Be sure that you follow the instructions installing the Acerbis products. Do not ride if there is missing or damaged hardware. If this is the case, take the item immediately back to your dealer. Make sure the throttle and other controls are free every time you ride. Lack of attention to instruction and warning could lead to interference with the controls, loss of control, and an accidents. Acerbis recommends that installation must be done by a licensed mechanic and that only Acerbis is original parts are used during fitting. Acerbis makes no guarantees or representations, express or implied, regarding the fitness of its products for any particular purpose. Acerbis makes no guarantees or representations, express or implied, regarding the extent to which its product protect individuals or property from injury or death or damage.

ACERBIS ITALIA S.P.A. VIA SERIO, 37 - 24021 ALBINO (BG) - ITALY  
Phone +39 035773577 - Fax +39 035773570 - INFO@ACERBIS.IT - WWW.ACERBIS.COM

ACERBIS U.S.A. Inc. MAIL P.O. BOX 2030 SUN VALLEY, ID 83353 SHIP 110 LINDSAY CIRCLE KETCHUM, ID 83340  
Phone (800) 659-1440 - Fax (208) 726-7039 - INFOUSA@ACERBIS.COM

ACERBIS U.K. Ltd UNIT 2 LUTON ENTERPRISE PARK SUNDON PARK ROAD LUTON, BEDFORDSHIRE LU3 3GU GREAT BRITAIN  
Phone +44 1582491076 - Fax +44 1582499639 - UKINFO@ACERBIS.IT